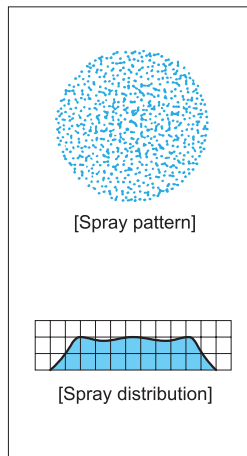


All Alumina Ceramic Full Cone Spray Nozzles

JUXP-AL92



[Features]

- X-shaped whirler provides large free passage diameter, minimizing clogging.
- Made of high-purity alumina ceramic, offering excellent wear resistance.
- Spray capacity ranges from medium to large.

[Standard pressure]

0.2 MPa

[Applications]

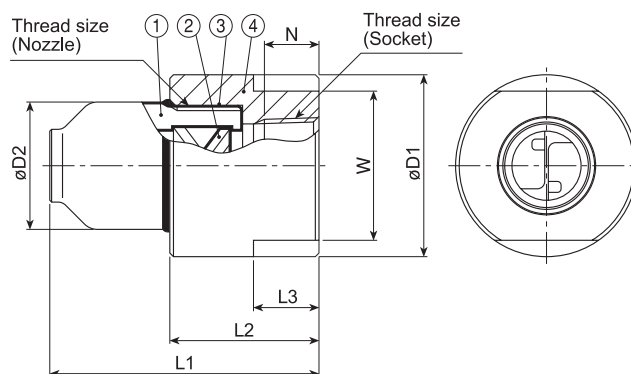
- Absorption tower of flue gas desulfurization equipment
- Spraying slurry

Full Cone

JUXP-AL92 series

JUXP-AL92 series	
Structure	• Whole nozzle fired as one piece.
Material	• Nozzle body: 92% Alumina • Socket: S316

We offer AP-AL92 series with a socket made of S316 to prevent thread damage, as the nozzle's alumina threads get easily chipped. Our S316 socket is female threaded.



① Nozzle body ② Ceramic whirler ③ Adhesive: Araldite®H ④ Socket (S316)

Thread sizes		Dimensions (mm)							Mass (g)
Nozzle ¹	Socket	L1	L2	L3	W	øD1	øD2	N	
R1	Rc3/4	74	41	18	41	50	35	15	310
R1	Rc1	76	43	18	41	50	35	17	510
R1*1/2	Rc1	91	47	24	60	70	50	17	910
R1*1/2	Rc1*1/2	94	50	24	60	70	50	19	1,190
R2	Rc1*1/2	127	54	27	70	80	65	19	1,440
R2	Rc2	131	58	27	70	80	65	23	1,860
R2*1/2 (250-350)	Rc2	167	62	30	90	100	80	23	2,920
R2*1/2 (400-550)	Rc2	125	62	30	90	100	80	23	2,530
R2*1/2 (250-350)	Rc2*1/2	171	66	30	90	100	80	27	3,520
R2*1/2 (400-550)	Rc2*1/2	129	66	30	90	100	80	27	3,130
R3	Rc2*1/2	156	71	35	100	110	90	27	3,190
R3	Rc3	160	75	35	100	110	90	30	3,890

*1) Figures in () after the nozzle thread sizes indicate the spray capacity codes.

[Note] Appearance and dimensions may differ slightly depending on materials and nozzle codes.

Spray capacity code	Nozzle thread size					Spray angle (°)			Spray capacity (ℓ/min)								Mean drop. dia. (μm)	Free pass. dia. (mm)	
	R1	R 1*1/2	R2	R 2*1/2	R3	0.05 MPa	0.2 MPa	0.5 MPa	0.03 MPa	0.05 MPa	0.1 MPa	0.15 MPa	0.2 MPa	0.3 MPa	0.5 MPa	0.7 MPa			1 MPa
23	○					70	75	60	9.63	12.2	16.7	20.2	23.0	27.1	33.4	38.4	44.4	630	4.7
26	○					75	80	65	10.9	13.8	18.9	22.8	26.0	30.7	37.8	43.4	50.1		4.7
30	○					80	85	70	12.6	15.9	21.8	26.3	30.0	35.4	43.6	50.0	57.9	5	4.7
35	○					85	90	75	14.7	18.5	25.5	30.7	35.0	41.3	50.9	58.4	67.5		4.7
40	○					90	95	80	16.8	21.2	29.1	35.1	40.0	47.2	58.1	66.7	77.2		4.7
45	○					90	95	80	18.8	23.8	32.7	39.5	45.0	53.1	65.4	75.0	86.8	950	4.7
50		○				70	75	60	20.9	26.5	36.4	43.8	50.0	59.0	72.7	83.4	96.4	800	6.0
55		○				75	80	65	23.0	29.1	40.0	48.2	55.0	64.9	79.9	91.7	105		6.0
60		○				80	85	70	25.1	31.8	43.7	52.6	60.0	70.8	87.2	100	115	5	6.0
70		○				85	90	75	29.3	37.1	50.9	61.4	70.0	82.6	100	120	135		6.0
80		○				90	95	80	33.5	42.4	58.2	70.1	80.0	94.4	115	135	155		6.6
90		○				90	95	80	37.7	47.7	65.5	78.9	90.0	106	130	150	175	1,150	6.6

All Alumina Ceramic Full Cone Spray Nozzles

JUXP-AL92 series

Full Cone

Spray capacity code	Nozzle thread size					Spray angle (°)			Spray capacity (ℓ/min)									Mean drop. dia. (µm)	Free pass. dia. (mm)
	R1	R 1*1/2	R2	R 2*1/2	R3	0.05 MPa	0.2 MPa	0.5 MPa	0.03 MPa	0.05 MPa	0.1 MPa	0.15 MPa	0.2 MPa	0.3 MPa	0.5 MPa	0.7 MPa	1 MPa		
100			○			80	85	70	41.9	52.9	72.8	87.7	100	120	145	170	195	1,000	8.7
120			○			80	85	70	50.3	63.5	82.3	105	120	140	175	200	230		8.7
150			○			85	90	75	62.8	79.4	110	130	150	180	220	250	290	∫	8.7
180			○			90	95	80	75.4	95.3	130	160	180	210	260	300	350		10.3
200			○			90	95	80	83.8	105	145	175	200	240	290	335	385	1,350	10.7
250				○		85	90	75	105	130	180	220	250	295	360	420	480	1,200	12.7
300				○		90	95	80	125	160	220	265	300	355	435	500	580	∫	12.7
350				○		90	95	80	150	185	255	310	350	415	510	585	675	1,450	12.7
400				○		80	80	65	170	210	290	350	400	470	580	670	770	1,300	13.4
450				○		90	90	75	190	240	330	395	450	530	655	750	870		13.4
500				○		95	95	80	210	265	365	440	500	590	730	835	965	∫	13.4
550				○		100	100	85	230	290	400	480	550	650	800	920	1,060	1,550	13.4
600					○	80	80	65	250	320	440	525	600	710	870	1,000	1,160	1,500	17.0
700					○	90	90	75	290	370	510	615	700	826	1,020	1,170	1,359	1,800	17.0

How to order

Please inquire or order for a specific nozzle using this coding system.

〈Example〉 1M JUXP 23 AL92 + 3/4F x 1 F SOC S316

1M JUXP 23 AL92 + 3/4F x 1 F SOC S316

Nozzle thread size²

- 1M
- ∫
- 3M

Spray capacity code

- 23
- ∫
- 700

Socket thread size²
(Pipe conn. size)

- 3/4F
- ∫
- 3F

Nozzle thread size
(without "R")

- 1
- ∫
- 3

*2) "M" indicates male thread ("R" of the ISO standard) and "F" indicates female thread ("Rc" of the ISO standard), e.g. 1M = R1, 3/4F = Rc3/4.