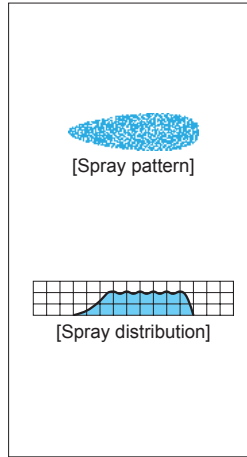


# Off-center Even Flat Spray Nozzles

# OVVEP



### [Features]

- Off-center flat spray pattern with uniform distribution throughout pattern area.
- With obliquely-angled flow, OVVEP series prevents accumulation of spray fluid in multiple-nozzle arrangements.
- No need for oblique installation, as the angle is built-in.

### [Standard Pressure]

0.3 MPa

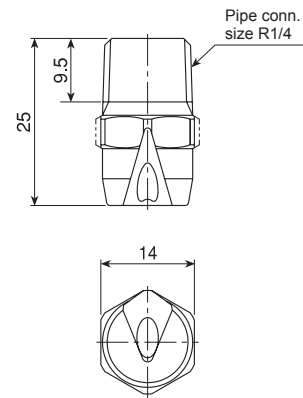
### [Applications]

- Cooling: Steel plates, steel pieces  
 Spraying: Etchants, oils, lubricants, glues, acids, insecticides, herbicides  
 Cleaning: Steel plates, steel pieces, filters, felts, screens

Flat Spray

## OVVEP series

OVVEP series	
Structure	• Made of metal, one-piece structure.
Material	• S303 or <del>B (brass)</del> • Optional material: S316 or others
Mass	• S303: 17 g • <del>B (brass): 18 g</del>



[Note] Appearance and dimensions may differ slightly depending on materials and nozzle codes.

Spray angle code	Spray capacity code	Spray angle (°)			Spray capacity (ℓ/min)											Mean droplet dia. (μm)	Free passage dia. (mm)
		0.05 MPa	0.3 MPa	0.7 MPa	0.05 MPa	0.07 MPa	0.1 MPa	0.15 MPa	0.2 MPa	0.3 MPa	0.5 MPa	0.7 MPa	1 MPa	1.5 MPa	2 MPa		
60	200	56	60	62	8.2	9.7	11.5	14.1	16.3	20.0	25.8	30.6	36.5	44.7	51.6	540	2.4
	250	57	60	61	10.2	12.1	14.4	17.7	20.4	25.0	32.3	38.2	45.6	55.9	64.5	5	2.7
	300	57	60	61	12.2	14.5	17.3	21.2	24.5	30.0	38.7	45.8	54.8	67.1	77.5	670	3.0
45	200	41	45	48	8.2	9.7	11.5	14.1	16.3	20.0	25.8	30.6	36.5	44.7	51.6	600	3.2
	250	42	45	47	10.2	12.1	14.4	17.7	20.4	25.0	32.3	38.2	45.6	55.9	64.5	5	3.6
	300	42	45	47	12.2	14.5	17.3	21.2	24.5	30.0	38.7	45.8	54.8	67.1	77.5	750	4.0

### How to order

Please inquire or order for a specific nozzle using this coding system.

<Example> 1/4M OVVEP 60200 S303

1/4M OVVEP	60	200	S303
	Spray angle code	Spray capacity code	Material
	60	200	S303
	45	250	<del>B</del>
		300	